



Lighting Effects Distribution Limited,

Unit 8, LED House, KPC Business Centre, Canterbury Road, South Willersborough, Ashford, Kent TN24 0BP
 Tel: 01233 636688 Fax: 01233 660204 Email: info@led-lites.co.uk Web: www.led-lites.co.uk

X-BAND

300ii RGB
 36 high power LEDs lighting



Black / White body (optional)

► ORDERING INFORMATION

| Model | Color | LED Quality | Operating Voltage | Power Consumption | Connection | Weight |
|-----------------------|-------|-------------|-------------------|-------------------|----------------------------------|--------|
| X-BAND-300-II-WP-RGB | RGB | 36 | 100-240VAC | 50W | 8-pin IP67 water proof connector | 4.5Kg |
| X-BAND-300-II-WOP-RGB | RGB | 36 | 24VDC | 50W | 5-pin IP67 water proof connector | 3.8Kg |

► DESCRIPTION

X-Band-300-II is a wall washer with high power 36 RGB LEDs or 36 white LEDs featuring the latest RGB SMD technology, and is the perfect solution for dynamic illumination of facade structures and landscapes. The beam angle of lens is available in 10°C, 25°C and 45°C. With an IP65 rating it is perfect for indoor and outdoor applications, ideal for architectural wash applications and perfectly suitable for high impact scene settings thanks to its precise light distribution and even luminance.

► FEATURES

- Rich color changing effect
- Very long operation life in excess of 50,000 hours
- Low energy consumption
- Robust construction suitable for outdoor application
- Fully DMX controlled

► SPECIFICATION

| | | | | | | | | | | |
|------------------------------|---|--------------|--------------|--------------|--------------|--------------|--------------|--------------|--------------|------------------------|
| COLOR RANGE | 16.7 million (24bit) | | | | | | | | | |
| SOURCE LIFE | 50,000 hours under normal operating conditions | | | | | | | | | |
| LED TYPE | 1W LUXEON R.G.B. | | | | | | | | | |
| POWER CONSUMPTION | 50W Max at full intensity (RGB) | | | | | | | | | |
| CURRENT CONSUMPTION | 2.1A | | | | | | | | | |
| LIGHT SOURCE | 36 x 1W high power LUXEON LEDs | | | | | | | | | |
| BEAM ANGLE | 10 deg (25, 45 deg optional) | | | | | | | | | |
| EMISSION WAVE LENGTH | Red | | | Green | | | Blue | | | If=350mA Unit nm |
| | Min. 620.5 | Typ. 627 | Max. 645 | Min. 520 | Typ. 530 | Max. 550 | Min. 440 | Typ. 455 | Max. 460 | |
| FORWARD VOLTAGE | Red | | | Green | | | Blue | | | If=350mA Unit V |
| | Min. 2.31 | Typ. 2.95 | Max. 3.51 | Min. 2.79 | Typ. 3.42 | Max. 3.99 | Min. 2.79 | Typ. 3.42 | Max. 3.99 | |
| CONNECTION | 8-pin(230V version) / 5-pin(24V version) IP67 water proof connector | | | | | | | | | |
| CONTROLLED | DMX 512 (1990) | | | | | | | | | |
| LISTING | CE certified | | | | | | | | | |
| HOUSING | Die cast aluminum with powder coating | | | | | | | | | |
| IP RATING | IP 65 | | | | | | | | | |
| OPERATING TEMPERATURE | -10° C ~ +50° C | | | | | | | | | |
| STORAGE TEMPERATURE | -20° C ~ +70° C | | | | | | | | | |
| DIMENSION | 300(L) x 168(W)x148(H)mm | | | | | | | | | |

** All rights reserved. Improvement and changes to specifications, design and all contents in this catalog, may be made at any time without prior notice.

X-BAND-300-II-RGB (10 deg lens)

► PHOTOMETRIC DATA

Light source specifications

Optics: polycarbonate lens + tempered glass
 Light source: 36 high power led (12 red, 12 green, 12 blue)
 Beam angle: 10 deg
 Light distribution: symmetric direct illumination

ILLUMINANCE

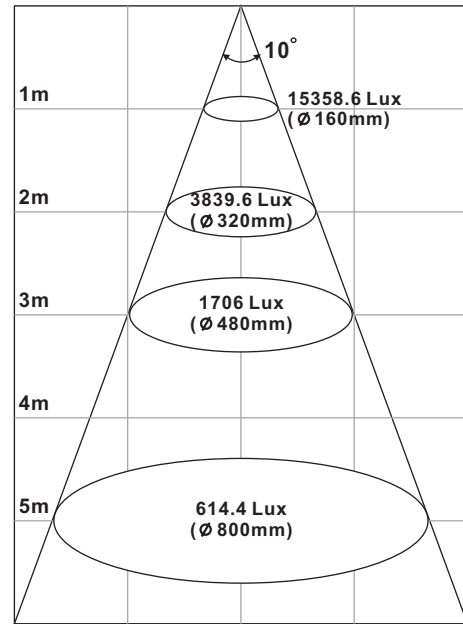
| COLOR | 1m | | 2m | | 3m | | 5m | |
|-------|---------|-----------|--------|-----------|-------|-----------|-------|-----------|
| | Lux | Size (mm) | Lux | Size (mm) | Lux | Size (mm) | Lux | Size (mm) |
| RED | 8123 | 160 | 2030.8 | 320 | 902.6 | 480 | 352 | 800 |
| GREEN | 8379 | 155 | 2094.8 | 310 | 931 | 465 | 335 | 785 |
| BLUE | 1008.2 | 175 | 252.2 | 330 | 112 | 495 | 40.4 | 815 |
| WHITE | 15358.6 | 160 | 3839.6 | 320 | 1706 | 480 | 614.4 | 800 |

* light pattern indicates the size at 50% of peak intensity

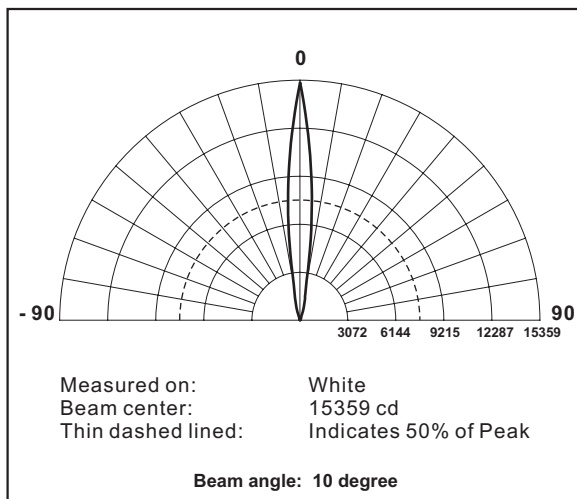
LIGHT OUTPUT

| COLOR | Total (lumens) | Power(watts) | Efficacy(lm/W) |
|-------|----------------|--------------|----------------|
| RED | 351.9 | 13.4 | 26.2 |
| GREEN | 399.4 | 13.9 | 28.73 |
| BLUE | 50.5 | 14 | 3.6 |
| WHITE | 722.3 | 39.9 | 18.1 |

FULL INTENSITY IN WHITE COLOR

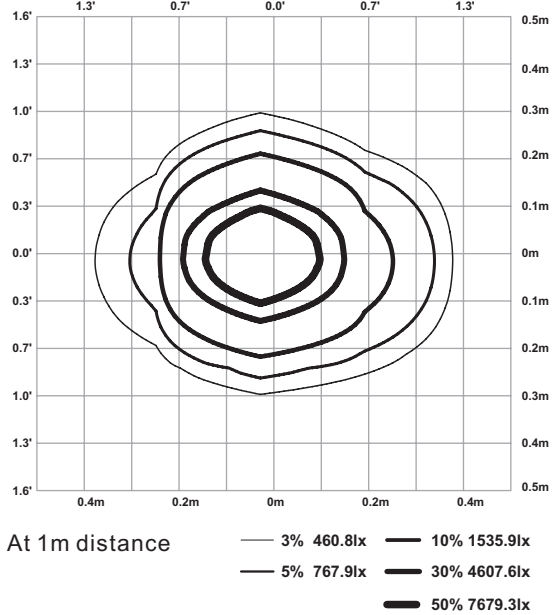


LIGHT DISTRIBUTION



IES file is also available

ISOLUX DIAGRAM



X-BAND-300-II-RGB (25 deg lens)

► PHOTOMETRIC DATA

Light source **specifications**

Optics: polycarbonate lens + tempered glass
 Light source: 36 high power led (12 red, 12 green, 12 blue)
 Beam angle: 21 deg
 Light distribution: symmetric direct illumination

ILLUMINANCE

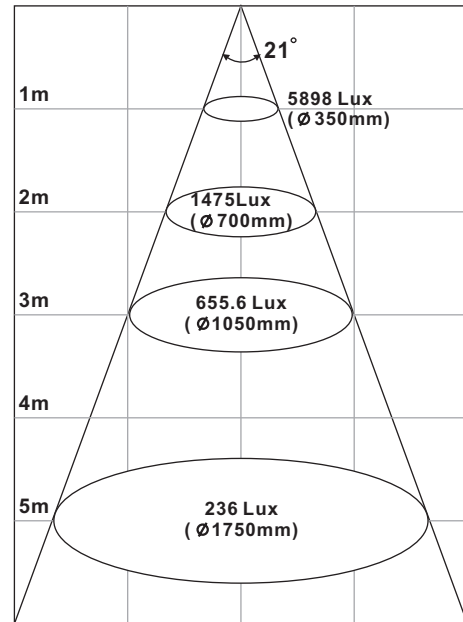
| COLOR | 1m | | 2m | | 3m | | 5m | |
|--------------|--------|-----------|--------|-----------|-----|-----------|-------|-----------|
| | Lux | Size (mm) | Lux | Size (mm) | Lux | Size (mm) | Lux | Size (mm) |
| RED | 2909.8 | 322.5 | 2030.8 | 727.4 | 645 | 967.5 | 116.4 | 1612.5 |
| GREEN | 3096 | 360 | 2094.8 | 774.2 | 720 | 1080 | 123.8 | 1800 |
| BLUE | 544.2 | 315 | 252.2 | 136 | 630 | 945 | 21.8 | 1575 |
| WHITE | 5898 | 350 | 1475 | 1475 | 700 | 1050 | 236 | 1750 |

* light pattern indicates the size at 50% of peak intensity

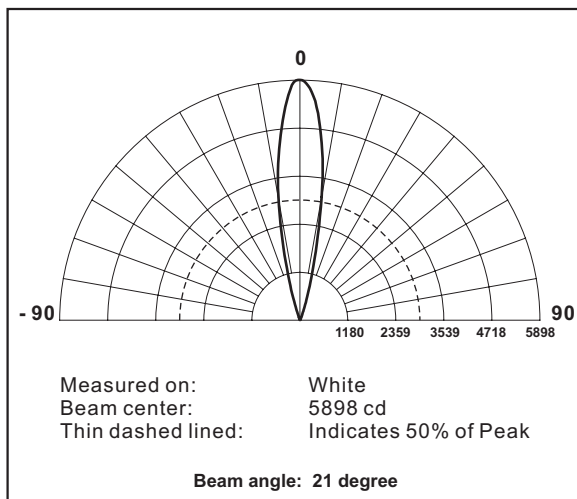
LIGHT OUTPUT

| COLOR | Total (lumens) | Power(watts) | Efficacy(lm/W) |
|--------------|----------------|--------------|----------------|
| RED | 370.8 | 12.8 | 28.96 |
| GREEN | 468.9 | 13.7 | 34.22 |
| BLUE | 75.2 | 13.7 | 5.48 |
| WHITE | 888.8 | 40.8 | 21.78 |

FULL INTENSITY IN WHITE COLOR

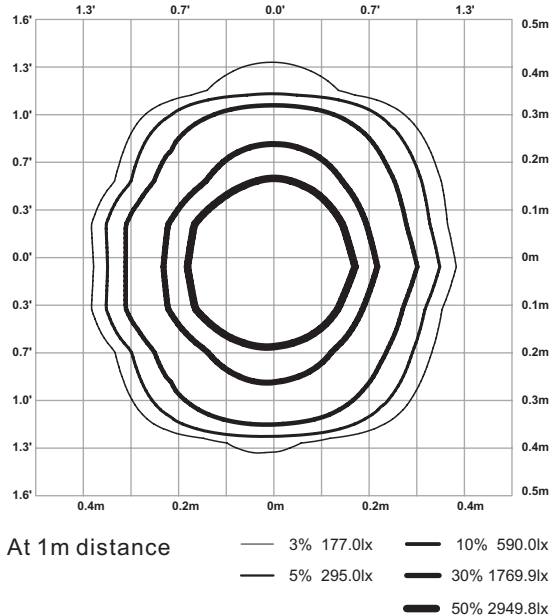


LIGHT DISTRIBUTION



IES file is also available

ISOLUX DIAGRAM





Lighting Effects Distribution Limited,

Unit 8, LED House, KPC Business Centre, Canterbury Road, South Willersborough, Ashford, Kent TN24 0BP
Tel: 01233 636688 Fax: 01233 660204 Email: info@led-lites.co.uk Web: www.led-lites.co.uk

X-BAND

300ii Cool white / Warm white
36 high power LEDs lighting



Black / White body (optional)

► ORDERING INFORMATION

| Model | Color range | LED Quality | Operating Voltage | Power Consumption | Connection | Weight |
|----------------------|-------------|-------------|-------------------|-------------------|----------------------------------|--------|
| X-BAND-300-II-WP-CW | Cool white | 36 | 100-240VAC | 48W | 8-pin IP67 water proof connector | 4.5Kg |
| X-BAND-300-II-WOP-CW | Cool white | 36 | 24VDC | 48W | 5-pin IP67 water proof connector | 3.8Kg |
| X-BAND-300-II-WP-WW | Warm white | 36 | 100-240VAC | 48W | 8-pin IP67 water proof connector | 4.5Kg |
| X-BAND-300-II-WOP-WW | Warm white | 36 | 24VDC | 48W | 5-pin IP67 water proof connector | 3.8Kg |

► DESCRIPTION

X-Band-300-II-CW / WW is a wall washer with high power 36 Cool white / warm white LEDs featuring, and is the perfect solution for dynamic illumination of facade structures and landscapes. The beam angle of lens is available in 10°C, 25°C and 45°C. With an IP65 rating it is perfect for indoor and outdoor applications, ideal for architectural wash applications and perfectly suitable for high impact scene settings thanks to its precise light distribution and even luminance.

► FEATURES

- Very long operation life in excess of 50,000 hours
- Low energy consumption
- Robust construction suitable for outdoor application
- Fully DMX controlled

► SPECIFICATION

| | | | | | | | |
|----------------------------------|--|---------------|----------------|---------------|---------------|---------------|-----------------------|
| COLOR RANGE | 3200K(warm white) / 6000K (cool white) | | | | | | |
| LED TYPE | 1W LUXEON cool white / warm white | | | | | | |
| SOURCE LIFE | 50,000 hours under normal operating conditions | | | | | | |
| POWER CONSUMPTION | 48W Max at full intensity | | | | | | |
| CURRENT CONSUMPTION | 2A | | | | | | |
| LIGHT SOURCE | 36 x 1W high power LUXEON LEDs | | | | | | |
| BEAM ANGLE | 10 deg (25, 45 deg optional) | | | | | | |
| EMISSION WAVE LENGTH | Cool white | | | Warm white | | | If=350mA Unit K |
| | Min. 4500K | Typ. 5500K | Max. 10000K | Min. 2850K | Typ. 3300K | Max. 3800K | |
| FORWARD VOLTAGE | Cool white | | | Warm white | | | If=350mA Unit V |
| | Min. 2.79 | Typ. 3.42 | Max. 3.99 | Min. 2.79 | Typ. 3.42 | Max. 3.99 | |
| CONTROLLED | DMX 512 (1990) | | | | | | |
| LISTING | CE certified | | | | | | |
| HOUSING | Die cast aluminum with powder coating | | | | | | |
| INGRESS PROTECTION RATING | IP 65 | | | | | | |
| OPERATING TEMPERATURE | -10°C ~ +50°C | | | | | | |
| STORAGE TEMPERATURE | -20°C ~ +70°C | | | | | | |
| DIMENSION | 300(L) x 168(W)x148(H)mm | | | | | | |

** All rights reserved. Improvement and changes to specifications, design and all contents in this catalog, may be made at any time without prior notice.

X-BAND-300-II-CW

► PHOTOMETRIC DATA

Light source specifications

Optics: polycarbonate lens + tempered glass
 Light source: 36 high power 6000K LED
 Beam angle: 10.5 deg
 Light distribution: symmetric direct illumination

ILLUMINANCE

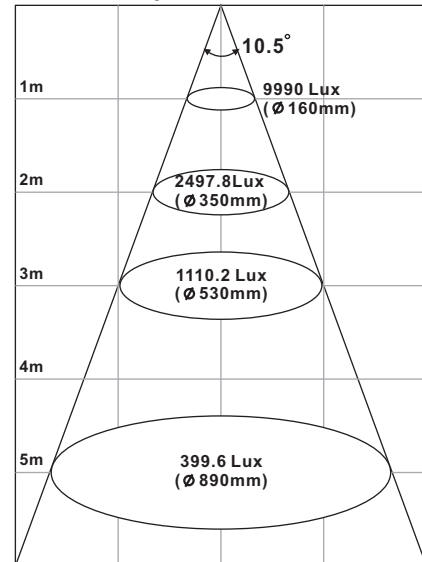
| COLOR | 1m | | 2m | | 3m | | 5m | |
|-------|------|-----------|--------|-----------|--------|-----------|-------|-----------|
| | Lux | Size (mm) | Lux | Size (mm) | Lux | Size (mm) | Lux | Size (mm) |
| WHITE | 9990 | 160 | 2497.8 | 350 | 1110.2 | 530 | 399.6 | 890 |

* light pattern indicates the size at 50% of peak intensity

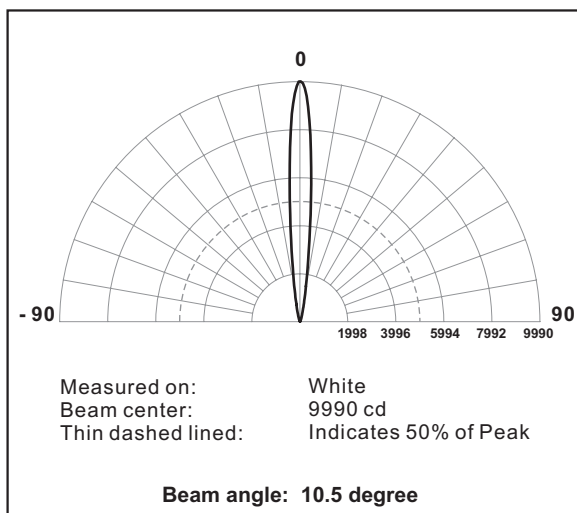
LIGHT OUTPUT

| COLOR | Total (lumens) | Power(watts) | Efficacy(lm/W) |
|-------|----------------|--------------|----------------|
| WHITE | 590.3 | 35.6 | 16.6 |

Full intensity in white color

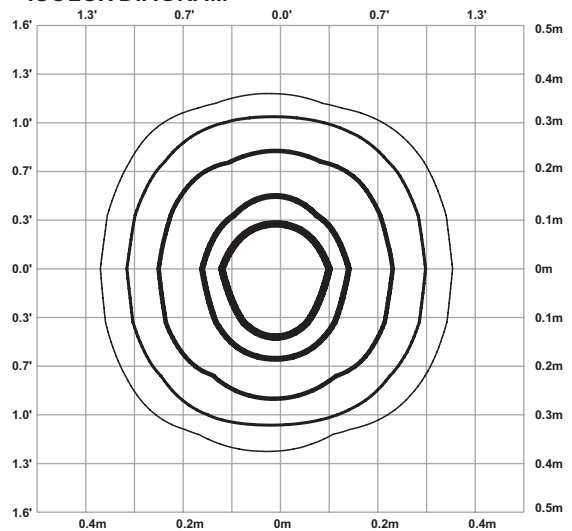


LIGHT DISTRIBUTION



IES file is also available

ISOLUX DIAGRAM

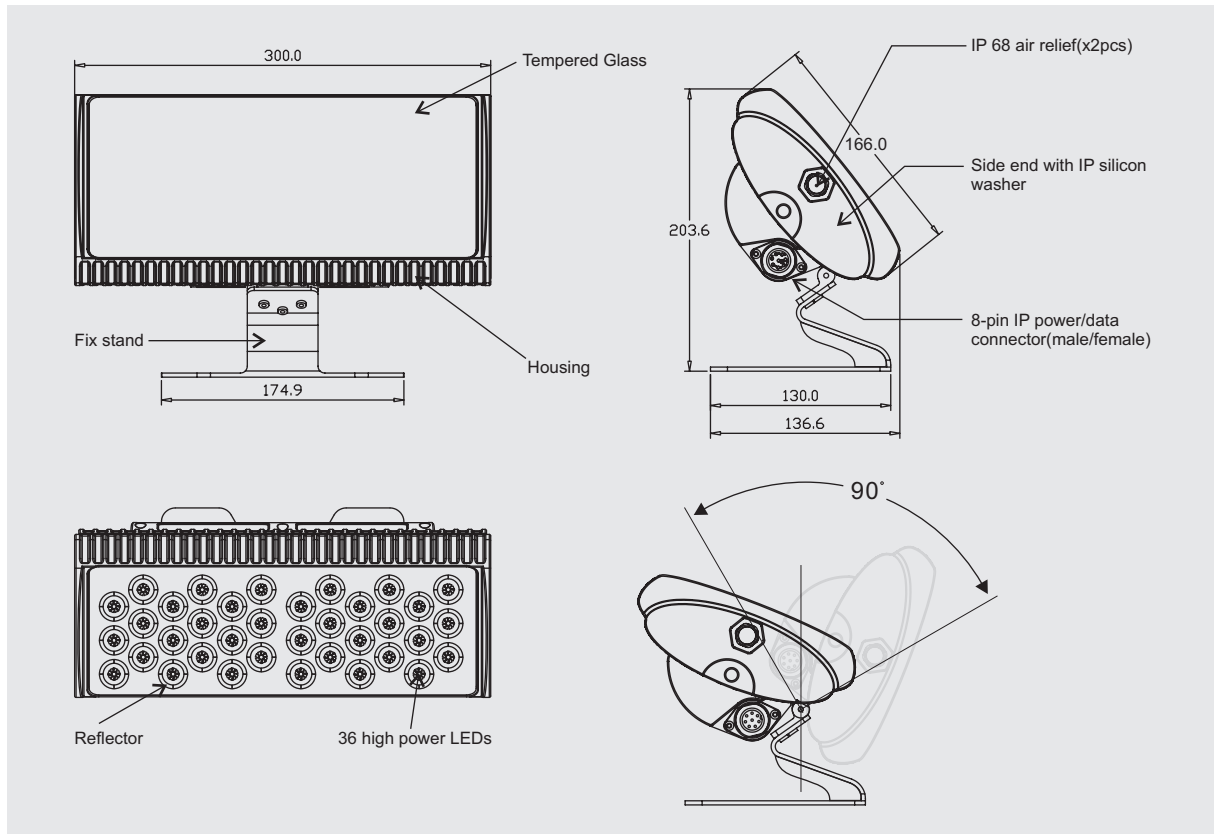


At 1m distance

- 3% 299.7lx
- 5% 499.6lx
- 10% 999.2lx
- 30% 2997.5lx
- 50% 4995.8lx

X-BAND-300-II

▶ TECHNICAL DRAWING

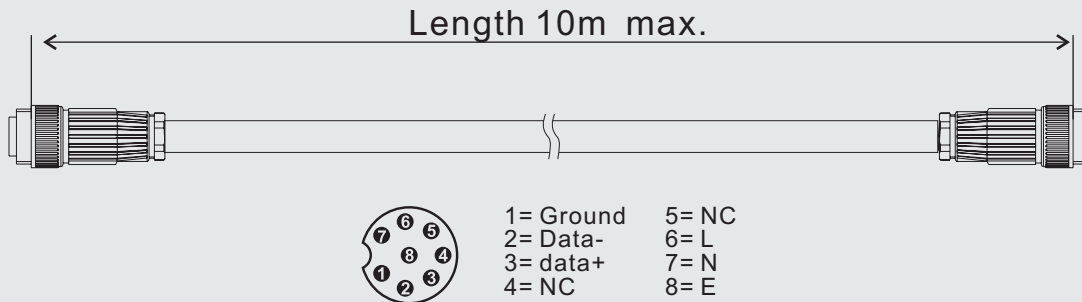


▶ POWER / DATA EXTENSION CABLE For 230VAC Version

Order Code: 17-017-0124-00

Power / Data Connection Cable of X-BAND-300-II with Junction Box, L= 10m, 230VAC, 10A max.

Link up length **45pcs** X-BAND-300-II Max.



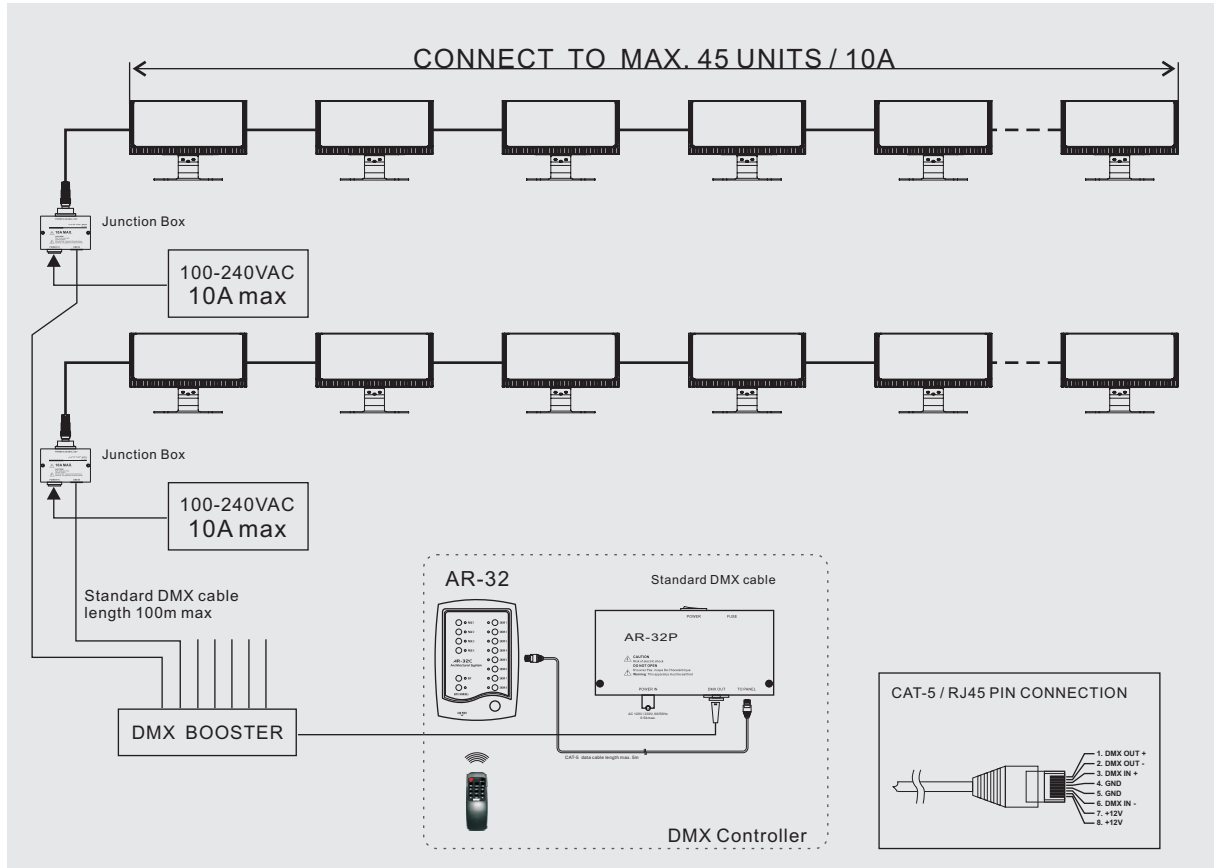
▶ JUNCTION BOX

Order Code: 26-001-0577-00



X-BAND-300-II

SYSTEM CONNECTION - 100-240VAC version



SYSTEM CONNECTION - 24VDC version

